

XMC-H.264

Dual HD-SDI Video or Single 3G-SDI Video Real-Time H.264 Compression and AES Encryption, Video Input to Gigabit Ethernet — No O/S or Software Required

FEATURES

- XMC VITA 20
- Extended temperature: -40°C to +85°C
- One SMPTE 424M (3G-SDI) 1080p60 input
or
Two SMPTE 292M (HD-SDI) 720p60/1080p30 inputs
- Output via Ethernet 10/100/1000
- STANAG-4609 KLV Metadata Injection over Ethernet or RS-232
- Uncompressed pass-through Output via SDI
- No operating system required
- No software necessary
- Stand-alone operation

OPTIONAL VIDEO PROCESSING

- Deinterlacing
- Adaptive contrast enhancement
- Adaptive edge enhancement
- Scaling
- Noise reduction
- Colour management

CUSTOM CONFIGURATIONS:

WOLF offers OEMs customized video configurations on all of its Video Graphic Modules, guaranteeing the perfect fit to your product.

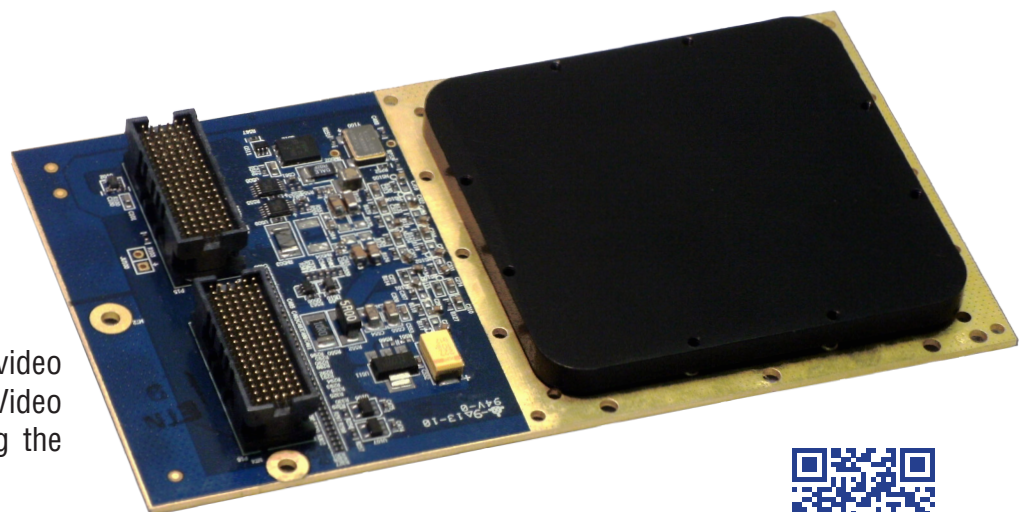
OVERVIEW

The WOLF-designed XMC-H.264 real-time video processing/encoding module is a conduction-cooled mezzanine card, which is designed to be used with carrier cards based upon the EuroCard specifications, such as 3U VPX.

The XMC-H.264 uses a standard XMC form-factor, and is available in conduction-cooled extended temperature, operating between a range of -40°C and +85°C, making it ideal for Industrial, Medical, Military, and Aerospace customers.

Absolutely no software or operating system is required for the XMC-H.264 module to operate. WOLF will pre-configure the module your desired settings and the module will do the rest: transmit a compressed video stream over Ethernet UDP.

For dynamic or after-purchase configuration changes, you can use the provided Linux or Windows SOCKET application.



WOLF Industrial Systems Inc.

2 Campbell Drive, Suite 100, Uxbridge, Ontario, L9P 1H6, Canada

Toll-free: 800 931-4114

Tel: 905-852-1163

Fax: 905-852-1735

sales@WOLF.ca

www.WOLF.ca

document version: 20150320a

The MXC-H.264 video processing module supports MPEG-4 Part 10 (AVC/h.264) encoding of: 1080p60, 1080i60, 1080p50, 1080i50, 1080p24, 1080p25, 720p60, 720p50, and many other resolutions. Real-time encoding is supported in MPEG-2 and MPEG-4, from SD and HD sources. Other video codecs, resolutions, and formats are also available. For a full list of capabilities, please contact WOLF.

VIDEO ENCODING SUPPORT

- Multiple codecs: H.264, MPEG2
- High quality 1080p60 encode
- AVC/H.264 encode
High Profile Level 5.1
- MPEG2 encode up to HD
(MP@HL)
- Wide range of bitrates:
1Kbps to 50Mbps
- Support CBR, VBR, and capped
VBR bitrates
- Programmable GOP structure
- Scene change detection
- Fade detection
- Dynamic parameter changes

INPUT AUDIO ENCRYPTION SUPPORT

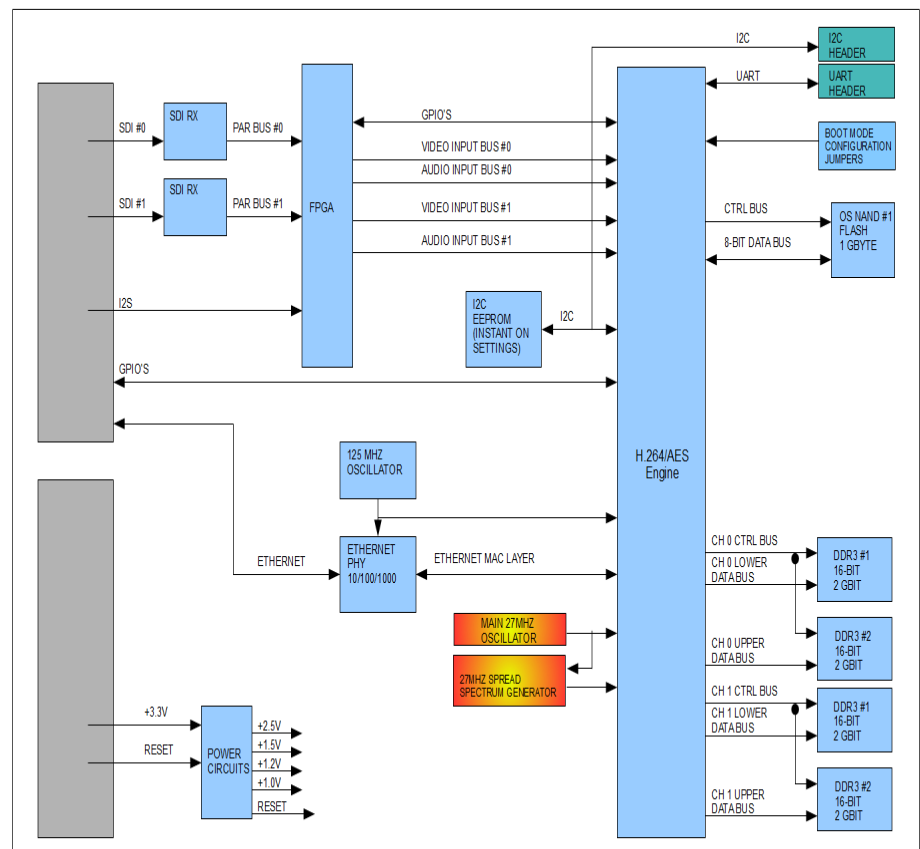
- Multiple codecs: MP2, AAC-LC
- Flexible and dynamic bitrate
adjustment

ADDITIONAL SUPPORT

- Additional audio and video
codecs are available upon
request

Environmental Specs

Supply Voltage:	+3.3V and +5V DC
Power Consumption:	< 10W
Dimensions:	Standard XMC VITA 20, Short Length
Operating Temp (XT):	-40°C to +85°C, as measured at thermal interface
Storage Temp:	-55°C to +105°C
Relative Humidity:	5% to 95% non-condensing
Shock:	40G, 11ms half-sine shock pulses in 3-axis
Explosion Safety:	no voltages above 5V DC



Visit www.wolf.ca/products/ for more information about this and other advanced video modules and solutions.

WOLF Industrial Systems Inc.

2 Campbell Drive, Suite 100, Uxbridge, Ontario, L9P 1H6, Canada

Toll-free: 800 931-4114

Tel: 905-852-1163

Fax: 905-852-1735

sales@WOLF.ca

www.WOLF.ca