

VPX3U-XAVIER-RTM

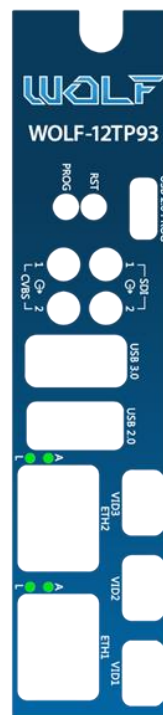
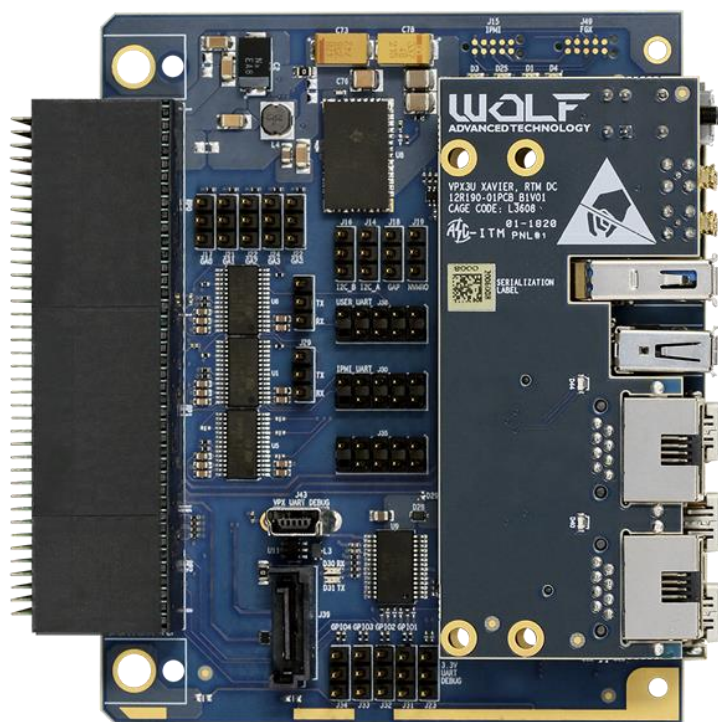
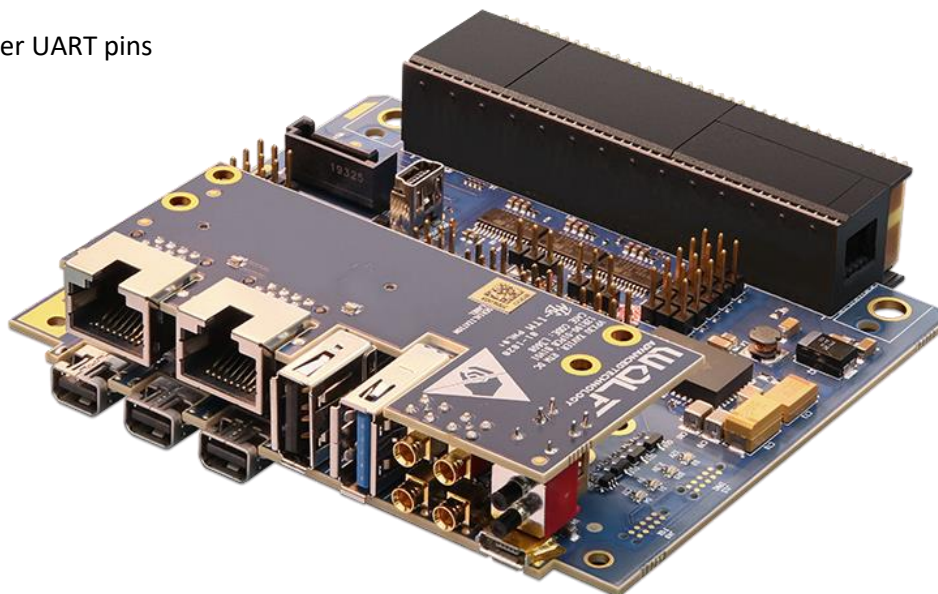
RTM Module for Xavier SBC with Multiple Inputs and Outputs

KEY FEATURES

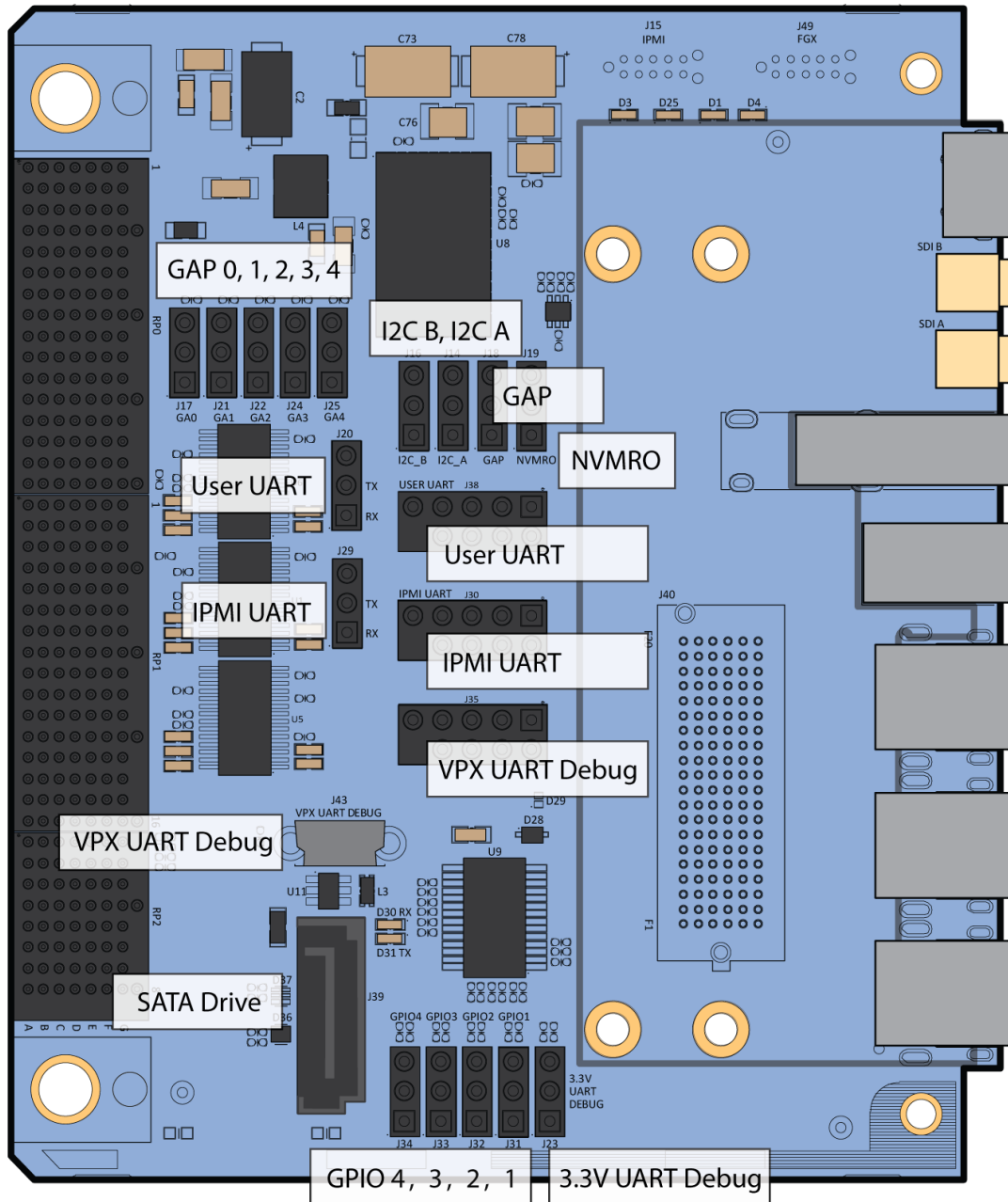
- 3x Mini-DisplayPort outputs
- 2x SDI outputs
- 2x CVBS outputs
- 2x Ethernet outputs
- 2x USB 2.0 outputs and 1x USB 3.0 output
- SATA drive interface
- GP I/O
- Debug ports
- IPMI UART and other UART pins

OVERVIEW

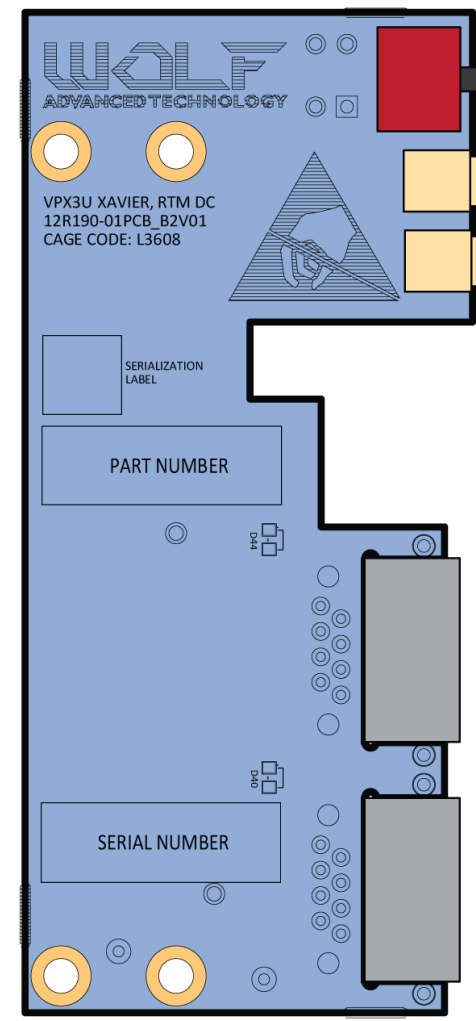
The VPX3U-XAVIER-RTM module is compatible with the WOLF VPX3U-XAVIER-SBC. The RTM provides video I/O, ethernet, USB, and Program/Reset on the front panel. It also provides a SATA interface, GP I/O, debug ports, IPMI UART and other UART pins, and jumpers to enable testing and configuration.



VPX3U-XAVIER-RTM



- USB 2.0 PROG
- SDI 1
- SDI 2
- USB 3.0
- USB 2.0
- VIDEO 3
- VIDEO 2
- VIDEO 1



- ETHERNET 2
- ETHERNET 1