

## MXC2 DEV BOARD WITH MULTIPLE INPUTS AND OUTPUTS

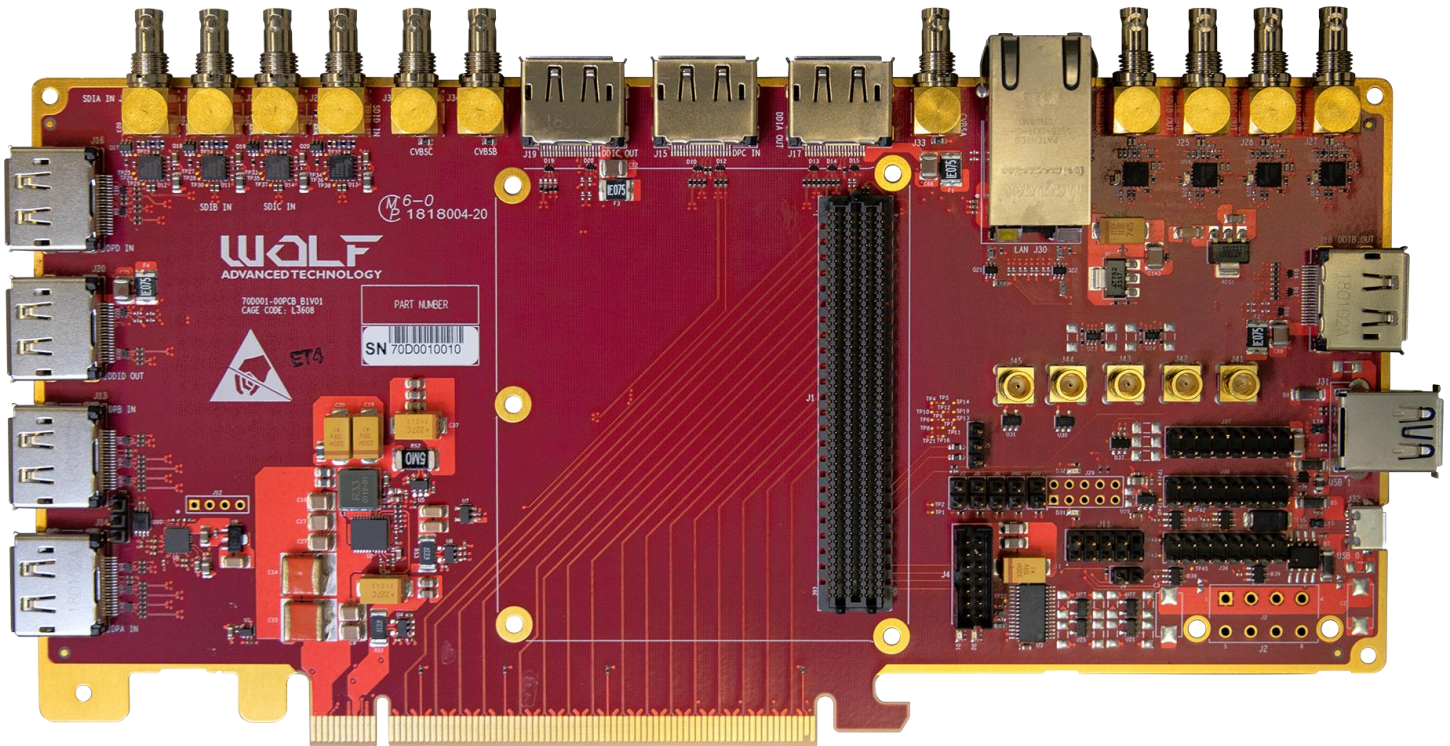
### KEY FEATURES

- Compatible with the WOLF MCX2 modules such as WOLF-7080 MXC2-FGX
- SDI inputs and outputs
- DisplayPort inputs and outputs
- Analog inputs and outputs
- PCIe x16 interface
- Ethernet and two USB interfaces
- Additional pins for testing, debugging and other I/O

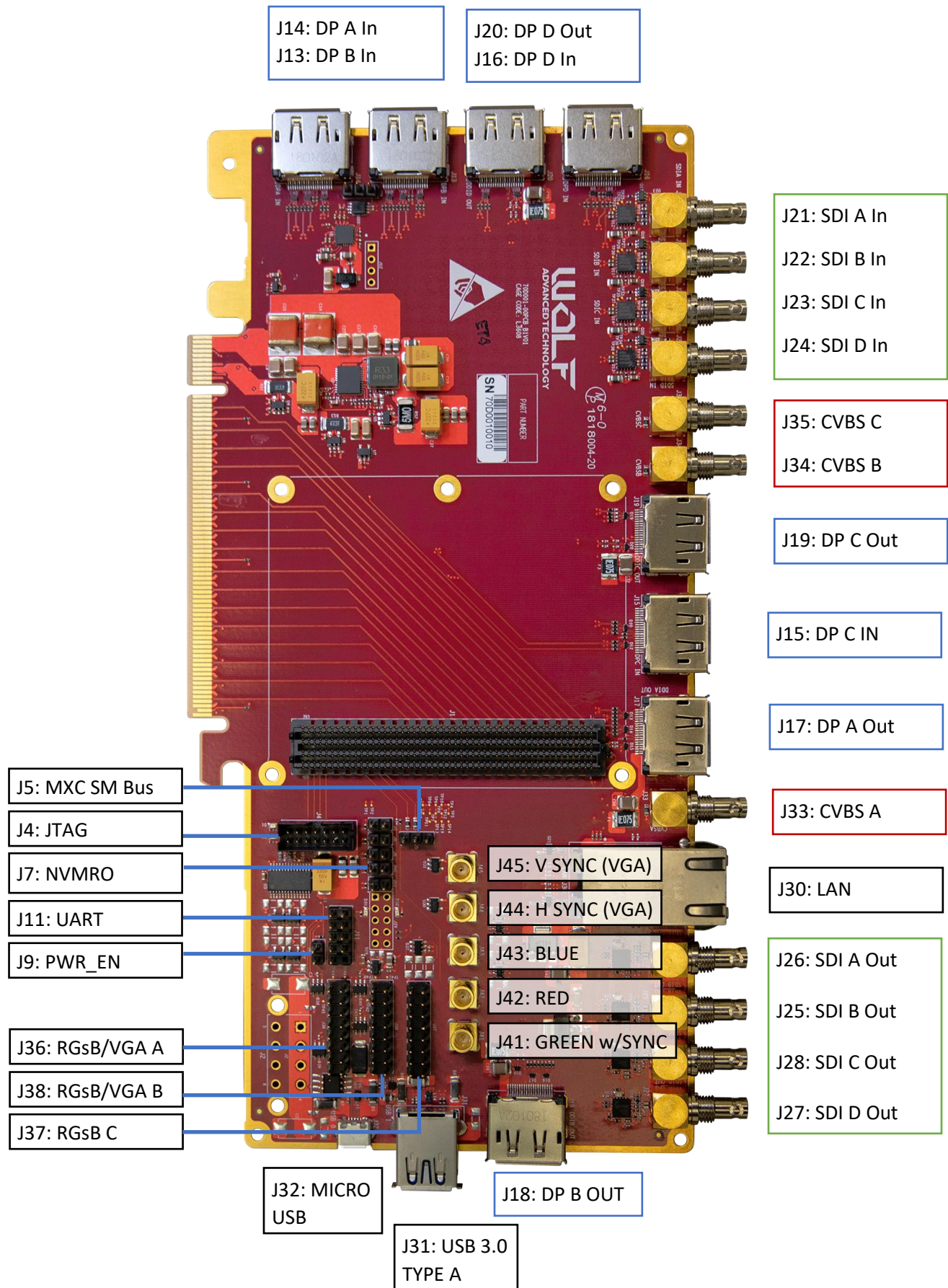
### OVERVIEW

This development board is compatible with WOLF MXC2 modules such as the WOLF-7080 MXC2-7080. This PCIe carrier board has a 400-pin connector for mounting the MXC2 module.

Multiple input and output connectors are available for getting data into and out of the MXC module mounted on the carrier.



**WOLF-70D0 Dev Board**



WOLF-70D0 Dev Board